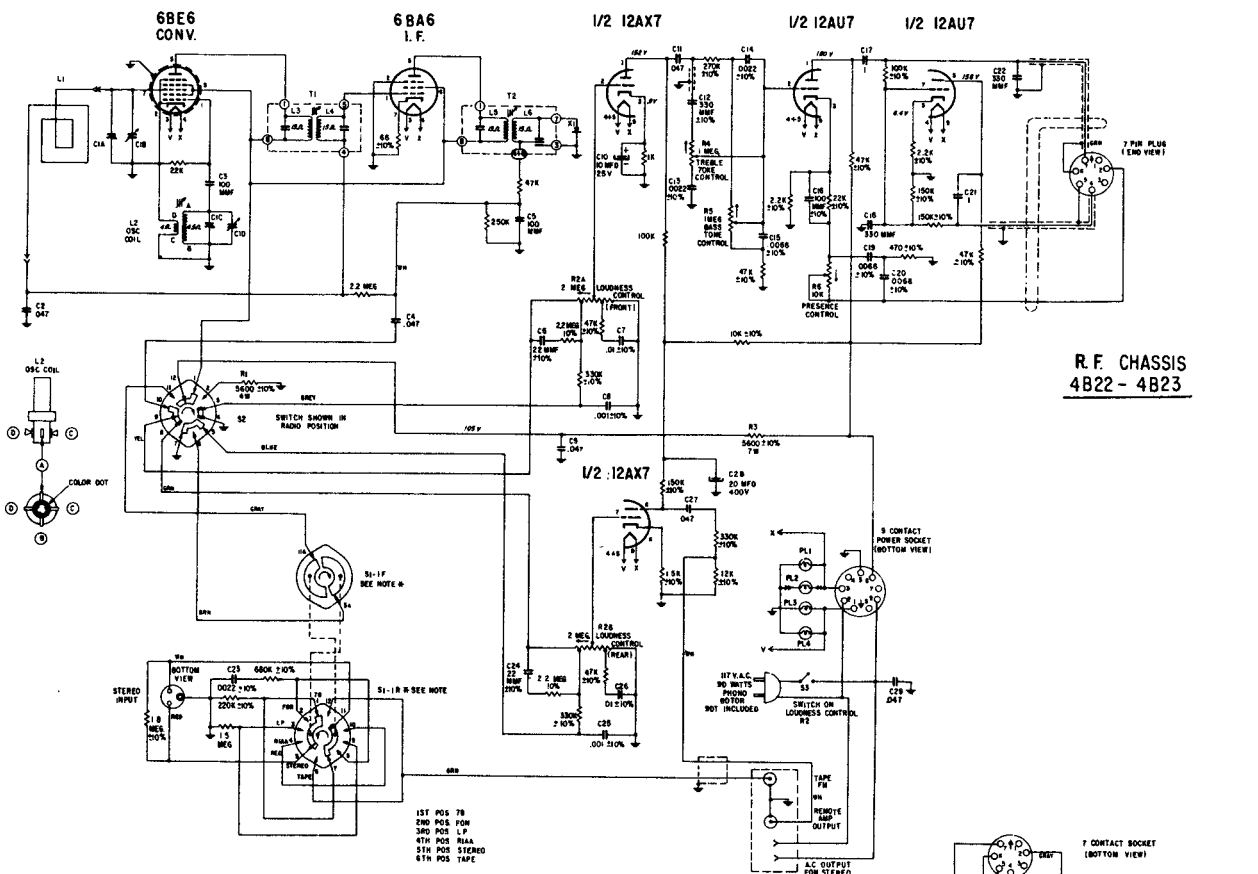
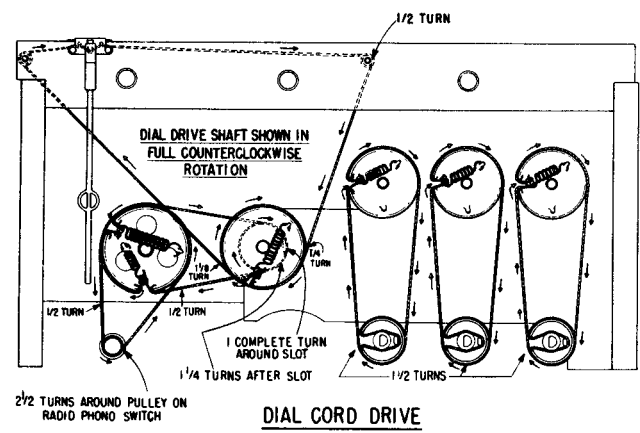


ZENITH Chassis 4B22Z and 3B30 used in Model SF174

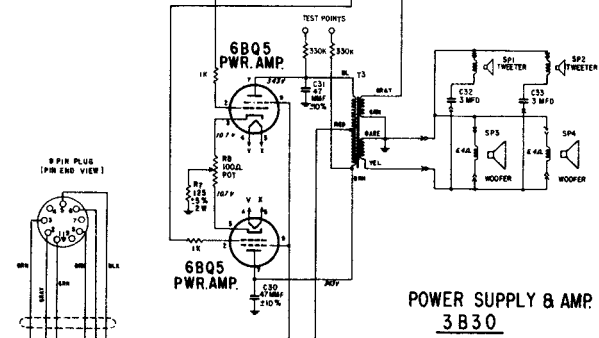


R. F. CHASSIS
4B22 - 4B23



- 1ST POS. TR
 - 2ND POS. FOW
 - 3RD POS. LF
 - 4TH POS. RIAA
 - 5TH POS. STEREO
 - 6TH POS. TAPE
- * NOTE
MOTOR BLADES ON OPPOSITE SIDES
ELECTRICALLY CONNECTED ON SI-1F & SI-1R

ALL WELDED HEADERS FROM COMMON RETURN TO POINTS INDICATED
WITH A PHONO TUBE TERMINAL
ALL VOLTAGES ARE D.C. UNLESS OTHERWISE SPECIFIED.
RESISTOR VALUES IN PHONO POSITION FULL COUNTERCLOCKWISE
AS VIEWED FROM FRONT OF CHASSIS.
ALL RESISTORS ARE 20% TOLERANCE, 1/2 WATT. CARBON UNLESS
OTHERWISE SPECIFIED.



POWER SUPPLY & AMP.
3B30

ALIGNMENT PROCEDURE

Operation	Connect Oscillator to	Dummy Antenna	Input Sig. Frequency	Set Dial at	Trimmers	Purpose
1	Converter Grid	.5 Mfd.	455 Kc.	600 Kc.	L3, L4, L5, L6	Align I.F. for maximum output.
2	One turn loop coupled loosely to wave magnet	--	1600 Kc.	1600 Kc.	C1D	Set osc. to dial scale
3		--	1400 Kc.	1400 Kc.	C1B	Align antenna stage

